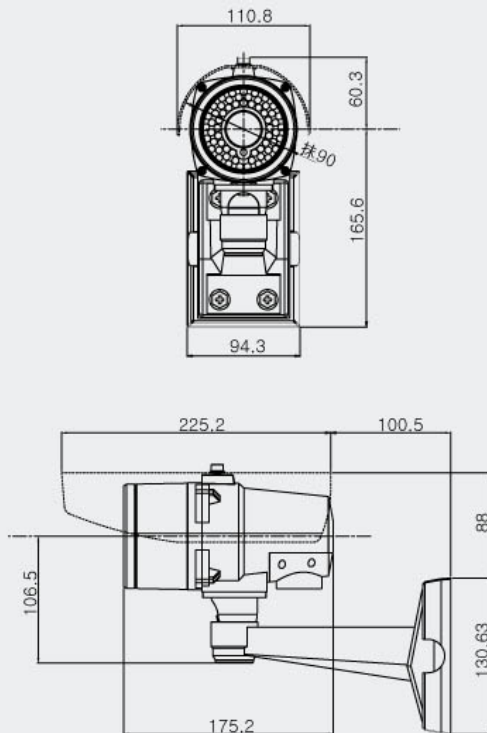




Features

- 1/3 inch High Sensitivity CCD
- High Resolution : 580TV Lines
- DC Iris Varifocal lens (f=3.8~9.5m F1.2)
- XWDR (Wide Dynamic Range)
- **Built-in IR LED (56EA) & Sensor(1EA)**
- TDN (ICR), OSD, 3D-DNR, 6.13x Digital Zoom
- Digital Slow Shutter 2x~128x Field (DSS)
- Motion Detection, Privacy Zone, Eclipse Function
- Built-in Fan/Heater
- Cable Through Type Camera Bracket
- AC24V/DC12V Dual Voltage

DIMENSIONS



SPECIFICATIONS

Model	WGB-24VF	WGB-25VF
Signal System	NTSC	PAL
Scanning System	2:1 Interlace	
Scanning Frequency (H)/(V)	15.734 KHz/59.94 Hz	15.625 KHz/50 Hz
Image Sensor	1/3 Inch High Sensitivity CCD	
Total Pixels	811(H) x 508(V) 410K	795(H) x 596(V) 470K
Horizontal Resolution	580 TV Lines (BW 650 TV Lines)	
Video Output	1.0V p-p (75Ω, Composite)	
S/N Ratio	More than 52dB(AGC Off)	
Lens	DC Iris Vari-focal Lens (f=3.8~9.5mm F1.2)	
Digital Zoom Ratio	6.13x	
WDR (Wide Dynamic Range)	Up to 60dB (Low/Middle/High)	
Day & Night Type	Electronic Sensitivity-up (DSS), ICR(AGC Type)	
Digital Slow Shutter	Off/2x~128x Field	
Night Burst	On/Off	
IR LED and Sensor	IR LED 56EA (850nm, 15', 30' Mixed), Sensor 1EA	
IR LED Visible Range	Max. 50m	
Min.Illumination	0.05 Lux / 0.0002 Lux (DSS On, BW) / 0.00 Lux (IR LED On), F1.2, 30IRE	
3D-DNR	Level (0~63)	
OSD Language	ENG/KOR/RSN/CHN/SPN/FRN	
White Balance	ATW/ANTI-ROL/PUSH/Manual	
AGC,BLC	Off/Low/Middle/High	
Eclipse	On/Off (16 Zone)	
Privacy Zone	On/Off (8 Programmable Zone)	
Motion Detection	On/Off (4 Programmable Zone)	
D-Effect	V-Flip / Mirror / Rotate	
Communication	RS-485 (4800, 9600, 19200, 38400, 57600)	
Electronic Shutter Speed	1/60~1/90,000 Sec.	1/50~1/90,000sec.
Supplied Voltage	AC 24V or DC 12V Dual Voltage	
Dimensions (WxHxD)	110.8 x 218.6 x 325.7 mm	
Weight (net)	Approx. 1.6kg	